

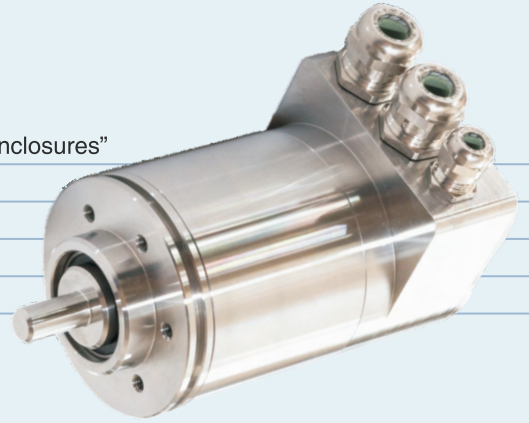
□ □ □ □ □ □ □ □ □ □ □ □

# MX 700B-BUS

EXPLOSION PROOF  
ABSOLUTE MULTI-TURN  
ENCODER



- EEx d IIC T6 “Flameproof Enclosures”
- ATEX-Certified
- Heavy Duty Construction
- Optical Sensing
- 13 Bits x 16 Bits
- Profibus Interface DP



## APPROVAL CERTIFICATIONS

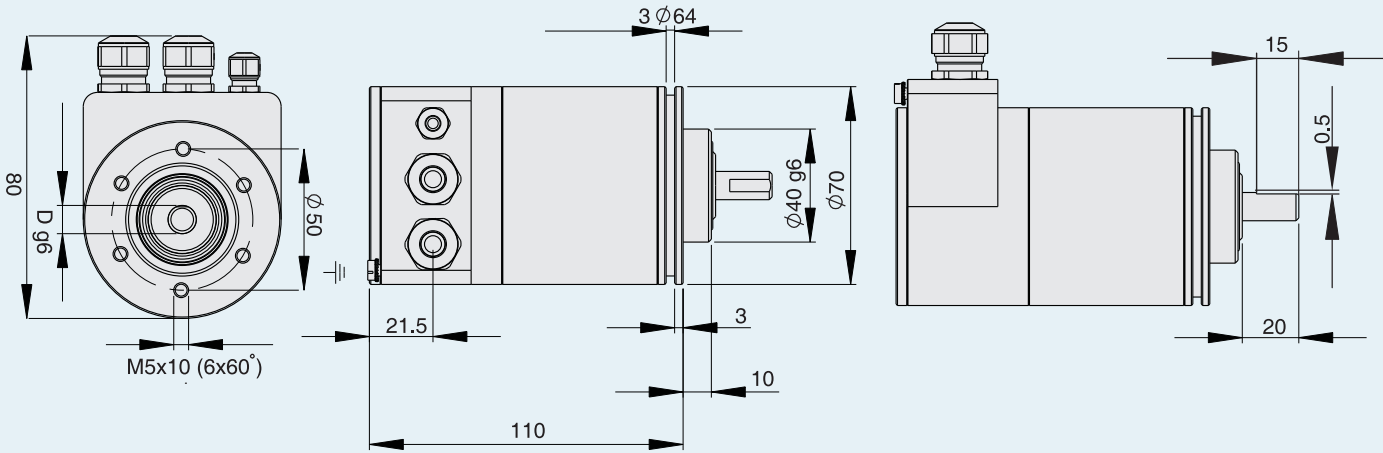
EC-Type Examination Certificate: IBExU09ATEX1163 X  
CE 1252 Ex II 2G EEx d IIC T6 bzw. T4  
CE 1252 Ex II 2D Ex tD A21 IP6x T85°C bzw. T105°C  
ATEX-Directive 94/9 EG: EN 60079-0: 2006; DIN EN 60079-1: 2007  
EN 61241-0: 2004; DIN EN 61241-1: 2004

## ELECTRICAL SPECIFICATIONS

Supply Voltage	10 to 30Vdc
Current Consumption(w/o load)	≤ 100 mA (24Vdc)
Initializing Time	250 ms after power on
Interface	Profibus DP
User Address	Rotary Switch in bus cover
Resolution(max)	13 Bits Single-Turn/16 Bits Multi-Turn
Short Circuit Protection	100%
Code	Binary
Programmable Direction	CW/CCW

## MECHANICAL SPECIFICATIONS

Cover	Stainless Steel
Bearing Housing	Stainless Steel
Shaft	Stainless Steel
Maximum RPM	6000 RPM (max)
Torque	> 0.4 Nm
Shaft Loading	Axial 60 N, Radial 50 N
Environmental Protection	IP67
Operating Temperature	-25°C to 60°C
Connection	Bus Cover
Weight	1500 g (4.2 lbs)



**ORDERING CODE**

**MX 700B** -         -   -

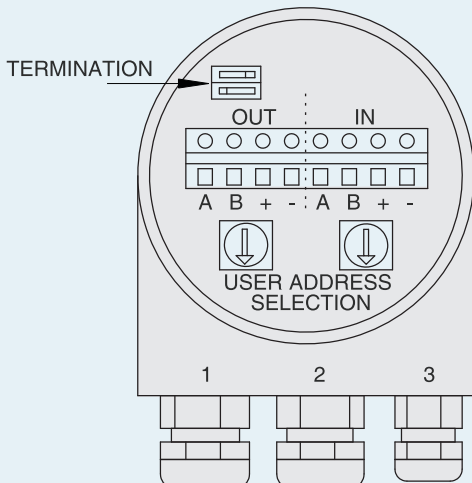
a b c d e f g h Single-Turn Resolution (bits) Multi-Turn Resolution (bits)

- a Group Function**  
MX=Absolute Multiturn Flame Proof
- b Basic Series Number**  
X700B-BUS
- c Shaft Size**  
10=10 mm, 12=12 mm
- d Mechanical Options**  
0=None, Y=Blind Hole Shaft

- e Connection Type**  
U=BUS-COVER
- f Connection Location**  
R=Radial
- g Output Signals**  
J=Binary - Profibus
- h Output Circuit Type**  
V=RS485 Compatible Line Driver

Notes:  
Special functions and designs will be designated by a 4 digit code at the end of the part number. Consult factory for further details

**CONNECTIONS**



- + VDC Supply Voltage
- GND Ground
- A Negative Data Line
- B Positive Data Line
- Gland #1 Out
- Gland #2 In
- Gland #3 Power Supply
- Termination - Both on = Final User, Both off = User X
- User Address defined by rotary switches