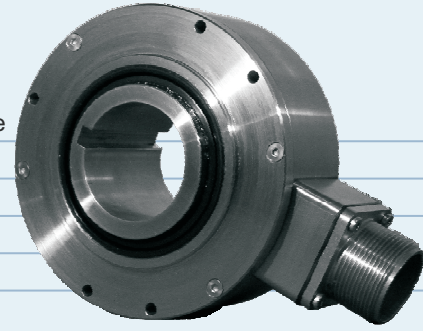


IH 103

EXTREME DUTY STAINLESS STEEL
INCREMENTAL HOLLOW SHAFT ENCODER

Intrinsically Safe ATEX Certified available
Extreme Duty Rated
Stainless Steel Construction
IP66/67 Protection
Up to 5000 Pulses Per Revolution
4,75 – 30 Volt, RS 422 Compatible



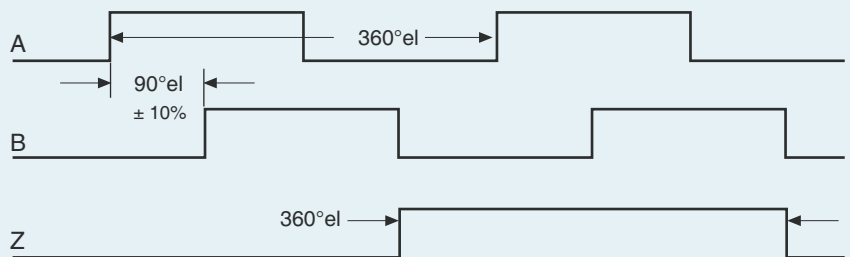
ELECTRICAL SPECIFICATIONS

Supply Voltage	4.75-30Vdc
Current Consumption	max. 40 mA
Output Circuit	Push-Pull, RS 422A
Impulse Frequency	300 kHz (max)
Signal Level (high)	Vcc - 0.7 Volt
Signal Level (low)	0.3 Volt (max)
Short Circuit Protection	100%

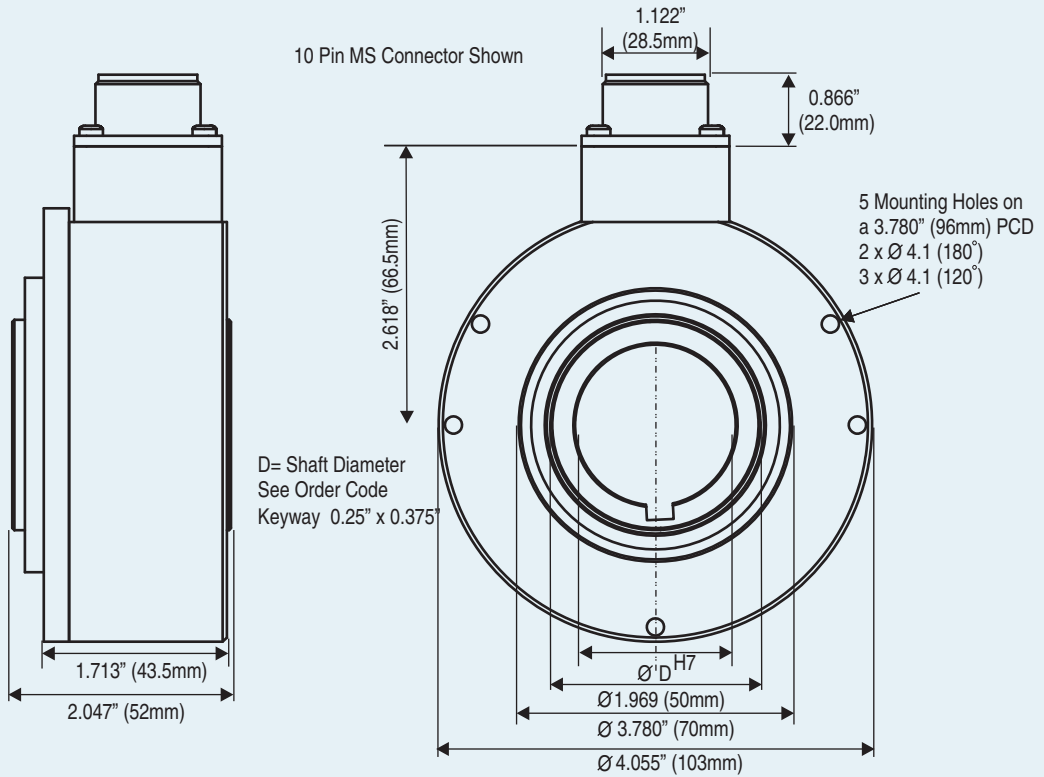
MECHANICAL SPECIFICATIONS

Cover	Stainless Steel
Bearing Housing	Stainless Steel
Shaft	Stainless Steel
Connector	Stainless Steel
Maximum RPM	6000 RPM (max)
Torque	> 0.4 Nm
Shaft Loading	Axial 60 N, Radial 50 N
Environmental Protection	IP66/67
Operating Temperature	-20 C to +70 C
Weight	1900 g (4.188 lbs)

OUTPUT SIGNALS



A leads B in the Clockwise Direction (facing shaft set screws)
Complementary Signals are also available



ORDERING CODE

IH 103 - - -

a b c d e f g h Pulses Per Revolution Options

- a Group Function**
IH=Incremental Hollow Shaft
- b Basic Series Number**
103
- c Shaft Size**
AQ=1.5"
- d Mechanical Options**
0=None
X=Stainless Steel Construction

- e Connection Type**
0=2m (6') Cable, 9=10 Pin MS
- f Connection Location**
R=Radial
- g Output Signals**
3=A+B+Z
6=A+B+Z+Complementary
- h Output Circuit Type**
3=Push-Pull 4.75 to 30 Vdc
R=Intrinsically Safe Push-Pull

Notes:
Special functions and designs will be designated by a 4 digit code at the end of the part number. Consult factory for further details

CONNECTIONS

Function	Cable Colour Code	10 Pin MS CR3102A18S
0 Volt	White	F
+ Volt	Brown	D
A	Green	A
B	Yellow	B
Z	Grey	C
\bar{A}	Pink	H
\bar{B}	Blue	I
\bar{Z}	Red	J