

# IH 951

INCREMENTAL  
HOLLOW SHAFT ENCODER

Heavy Duty Construction  
Slim Line Profile  
Shaft Mounted  
Range of shaft bores 5/8" to 1" (14 - 26 mm)  
25000 PPR Maximum  
4.75 to 30 Volts, RS 422 Compatible  
300 kHz Maximum Frequency



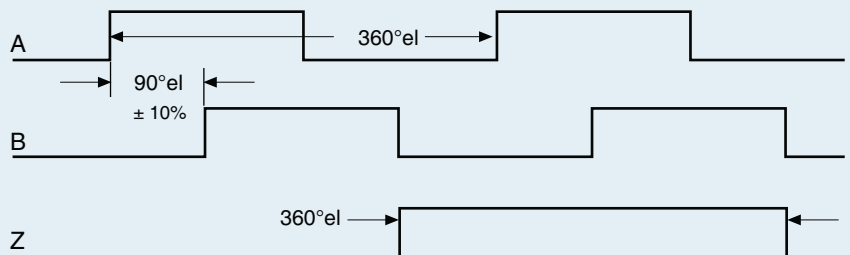
## ELECTRICAL SPECIFICATIONS

Supply Voltage	4.75-30Vdc
Current Consumption	max. 40 mA
Output Circuit	Push-Pull, RS 422A
Impulse Frequency	300 kHz (max)
Signal Level (high)	Vcc - 0.7 Volt
Signal Level (low)	0.3 Volt (max)
Short Circuit Protection	100%

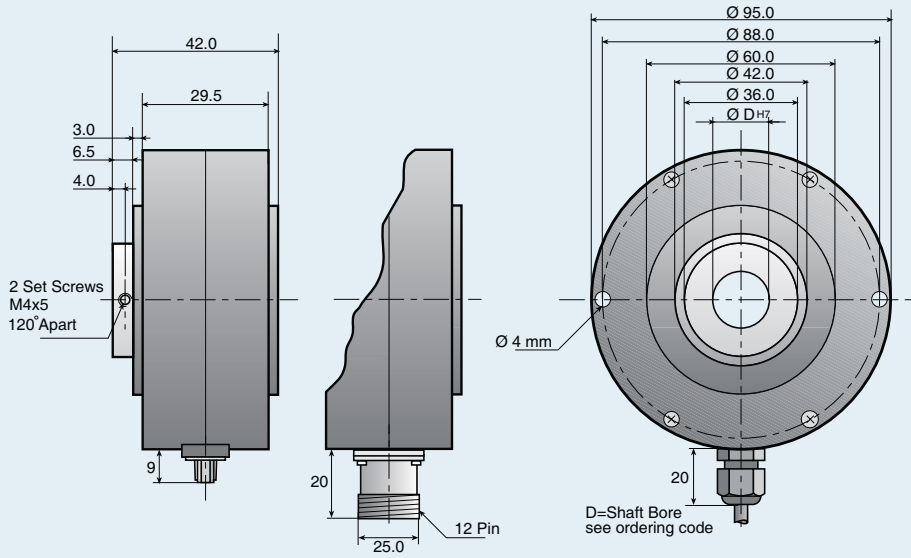
## MECHANICAL SPECIFICATIONS

Cover	Aluminum
Body	Aluminum
Shaft	Stainless Steel
Speed	6000 RPM Max.
Torque	> 0.04 Nm
Loading	Axial 50 N, Radial 30 N
Protection	IP 65
Temperature	-20°...+70° C (-4°...+158° F) +100° C (+212° F) Optional
Weight	470 g (1.034 lb)

## OUTPUT SIGNALS



A leads B in the Clockwise Direction (facing shaft set screw side)  
Complementary Signals are also available



**ORDERING CODE**

- 
           -

a      b      c      d      e      f      g      h      Pulses Per Revolution

- a **Group Function**  
IH=Incremental Hollow Shaft
- b **Basic Series Number**  
951
- c **Shaft Size**  
AE=5/8", AL=1"  
12=12 mm, 26=26 mm
- d **Mechanical Options**  
0=None

- e **Connection Type**  
0=6' (2Mtr) Cable, 6=9 Pin Sub-D  
7=12 Pin
- f **Connection Location**  
R=Radial
- g **Output Signals**  
3=A+B+Z  
6=A+B+Z+Complementary
- h **Output Circuit Type**  
1=Push-Pull 5 Vdc  
3=Push-Pull 4,75 to 30 Vdc  
5=Push-Pull 8 to 30 Vdc

**Notes:**  
Special functions and designs will be designated by a 4 digit code at the end of the part number. Consult factory for further details  
Resolution over 5000 PPR uses interpolation circuitry  
Please specify supply voltage 5Vdc or 8 to 30Vdc

**CONNECTIONS**

Function	Cable Colour Code	9 Pin Connector	12 Pin Connector
0 Volt	white	1	1
+ Volt	brown	2	2
A	green	3	3
B	yellow	4	4
Z	grey	5	5
$\bar{A}$	pink	6	6
$\bar{B}$	blue	7	7
$\bar{Z}$	red	8	8