

AS580

ABSOLUTE SHAFT ENCODER

Industry Standard Size 58
Synco Flange Mounted
Up to 13 Bits (8192) Parallel Format
5 Vdc or 8 to 30 Vdc
Parallel Format Gray Code or Binary Code



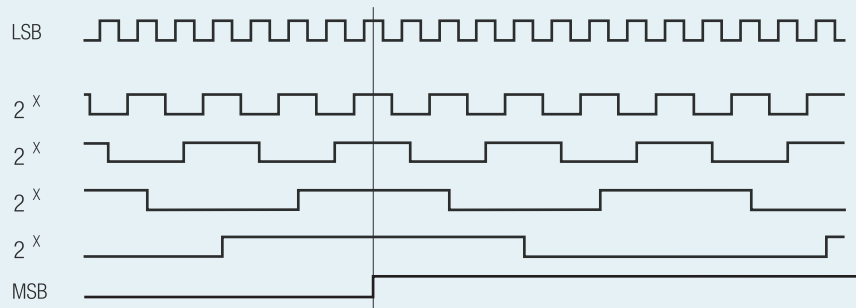
ELECTRICAL SPECIFICATIONS

Supply Voltage	5Vdc or 8 to 30Vdc
Current Consumption	max. 100 mA
Output Circuit	Push-Pull
LSB Frequency	100 kHz (max)
Signal Level (high)	Vcc - 0.7 Volt
Signal Level (low)	0.3 Volt (max)
Short Circuit Protection	100%

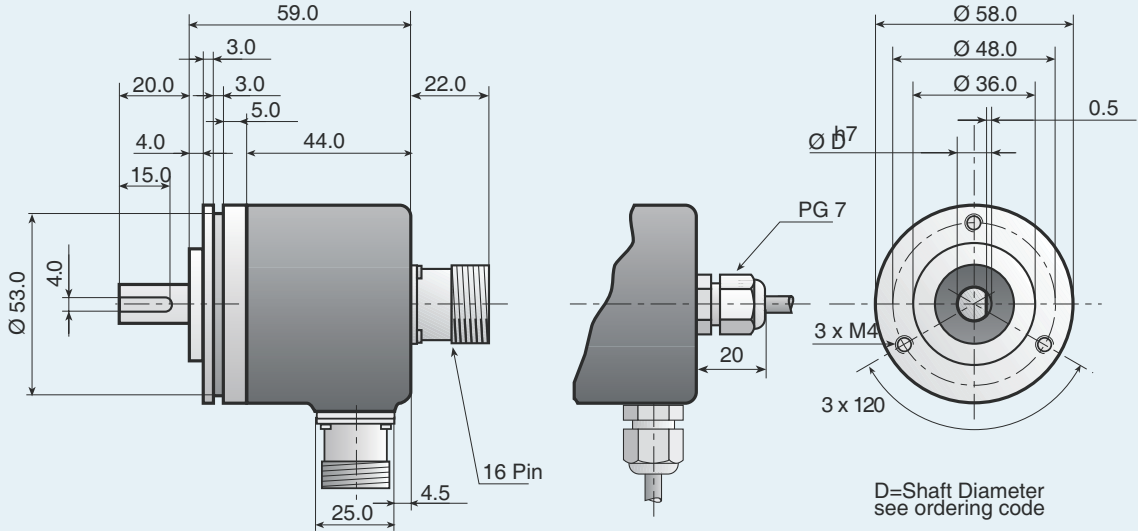
MECHANICAL SPECIFICATIONS

Cover	Aluminum
Bearing Housing	Aluminum
Shaft	Stainless Steel
Maximum RPM	6000 RPM (max)
Torque	> 0.5 Nm
Shaft Loading	Axial 40 N, Radial 30 N
Environmental Protection	IP65
Operating Temperature	-20 C to +70 C
Weight	320 g (0.7 lbs)

OUTPUT SIGNALS



Parallel Gray Code shown - Parallel Binary code also available



ORDERING CODE

AS 580 - -

a b c d e f g h Resolution

- | | |
|---|---|
| <p>a Group Function
AS=Absolute Shaft Encoder</p> <p>b Basic Series Number
580</p> <p>c Shaft Size
06=6 mm, 10=10 mm
AA= 1/4", AB=3/8"</p> <p>d Mechanical Options
0=None</p> | <p>e Connection Type
0=2 m (6') Cable, 8=16 Pin</p> <p>f Connection Location
A=Axial, R=Radial</p> <p>g Output Signals
E=Binary Code <->
F=Gray Code <-></p> <p>h Output Circuit Type
1=Push-Pull 5 Vdc
5=Push-Pull 8 to 30 Vdc</p> |
|---|---|

Notes:
 Special functions and designs will be designated by a 4 digit code at the end of the part number.
 Serial format SSI signals are also available.
 Consult factory for further details.

CONNECTIONS

Function	16 Pin Connector	Cable Colour Code	Function	16 Pin Connector	Cable Colour Code
0 Volt	1	white	2 ⁶	9	black
+ Volt	2	brown	2 ⁷	10	violet
2 ⁰	3	green	2 ⁸	11	grey/pink
2 ¹	4	yellow	2 ⁹	12	red/blue
2 ²	5	grey	2 ¹⁰	13	white/green
2 ³	6	pink	2 ¹¹	14	brown/green
2 ⁴	7	blue	2 ¹²	15	white/yellow
2 ⁵	8	red	<->	16	yellow/brown