

AH740

HOLLOW SHAFT
ABSOLUTE ENCODER

Compact Construction
Shaft Mounted
Range of shaft bores 6 to 14 mm & 1/4" to 1/2"
Up to 13 Bits (8192) Parallel Format
5 Vdc or 8 to 30 Vdc
Gray Code or Binary Code



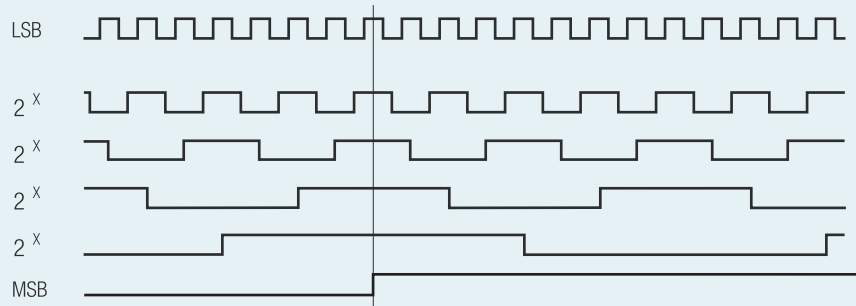
ELECTRICAL SPECIFICATIONS

Supply Voltage	5Vdc or 8 to 30Vdc
Current Consumption	max. 100 mA
Output Circuit	Push-Pull
LSB Frequency	100 kHz (max)
Signal Level (high)	Vcc - 0.7 Volt
Signal Level (low)	0.3 Volt (max)
Short Circuit Protection	100%

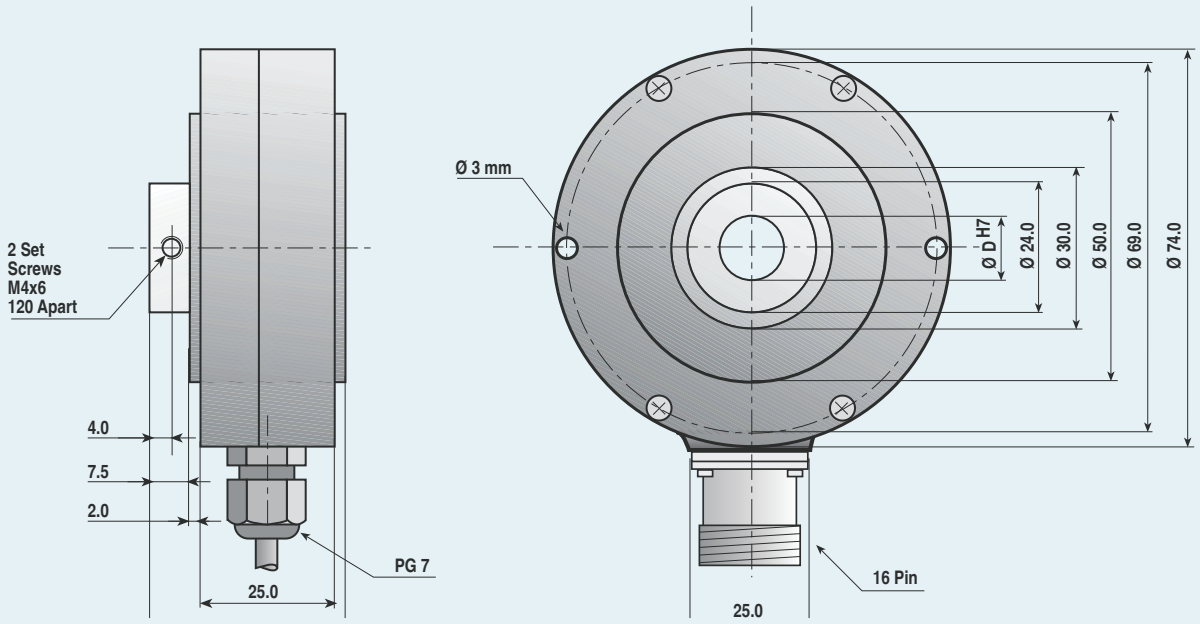
MECHANICAL SPECIFICATIONS

Cover	Aluminum
Bearing Housing	Aluminum
Shaft	Stainless Steel
Maximum RPM	6000 RPM (max)
Torque	> 0.4 Nm
Shaft Loading	Axial 40 N, Radial 30 N
Environmental Protection	IP65
Operating Temperature	-20 C to +70 C
Weight	380 g (0.84 lbs)

OUTPUT SIGNALS



Parallel Gray Code shown - Parallel Binary code also available



ORDERING CODE

AH 740 - -

a b c d e f g h Resolution

- | | |
|---|---|
| <p>a Group Function
AH=Absolute Hollow Shaft Encoder</p> | <p>e Connection Type
0=2 m (6') Cable, 8=16 Pin</p> |
| <p>b Basic Series Number
740</p> | <p>f Connection Location
R=Radial</p> |
| <p>c Shaft Size
06=6 mm, 10=10 mm, 12=12 mm
AA= 1/4", AB=3/8", AC=1/2"</p> | <p>g Output Signals
E=Binary Code <->
F=Gray Code <-></p> |
| <p>d Mechanical Options
0=None</p> | <p>h Output Circuit Type
1=Push-Pull 5 Vdc
5=Push-Pull 8 to 30 Vdc</p> |

Notes:
Special functions and designs will be designated by a 4 digit code at the end of the part number.
Serial format SSI signals are also available.
Consult factory for further details.

CONNECTIONS

Function	16 Pin Connector	Cable Colour Code	Function	16 Pin Connector	Cable Colour Code
0 Volt	1	white	2 ⁶	9	black
+ Volt	2	brown	2 ⁷	10	violet
2 ⁰	3	green	2 ⁸	11	grey/pink
2 ¹	4	yellow	2 ⁹	12	red/blue
2 ²	5	grey	2 ¹⁰	13	white/green
2 ³	6	pink	2 ¹¹	14	brown/green
2 ⁴	7	blue	2 ¹²	15	white/yellow
2 ⁵	8	red	<->	16	yellow/brown